



5 25 900 0410 0

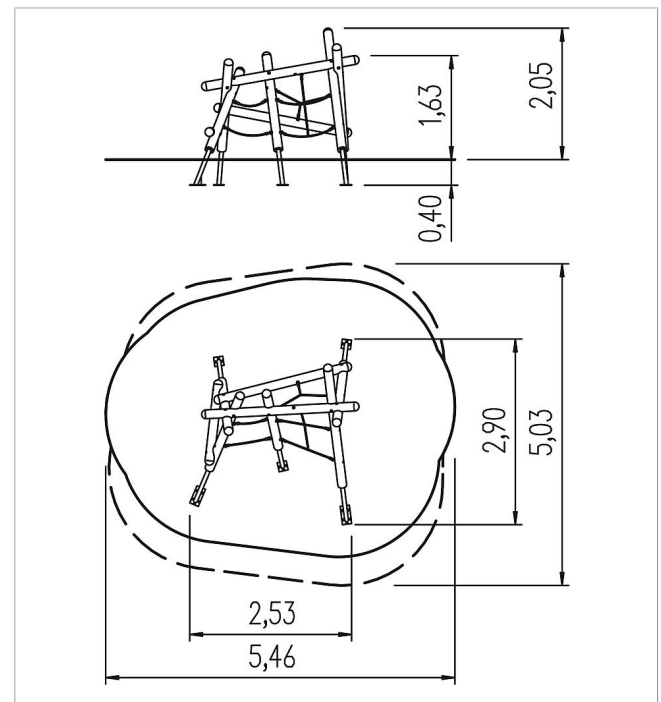
climbo climbing structure small Aron

made in germany



Scope of delivery

- 5x post construction: SW
- 5x post shoe: galvanised steel
- 3x climbing beam: SW
- 4x rope construction: polyester-coated steel cable



	Material	Larch GL
	Minimum space	546x503x385 cm
	Free falling height	163 cm
	Impact protection net	19,0 m ²
	Foundations	5x CF or 5x PFs